

**DESCRIPTION**

- Heavy duty brass valve.
- Heavy Duty Polished Stainless Steel Pedal.
- Stainless steel and aluminum latch mechanism  
"-NL" Models have no latch mechanism.
- Connections - Select 3/8" or 1/2"
- Installation hardware & SS braided flexible water lines are included, see page 2 for options.
- Meets ASME A112.18.1M

**OPERATION**

- Connected between supply stops and faucet or other temperature control device. Mounts in cabinet or on shelf under sinks.
- Depressing pedal opens both hot and cold water cartridges, allowing water flow from a pre-set faucet or other device.
- Depressing toe button latches pedal in an open position. Depressing latched pedal releases latch.  
Note: "-NL" Models have a non-latchable pedal.

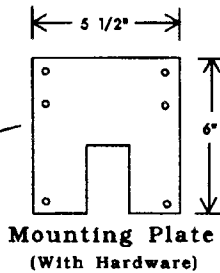
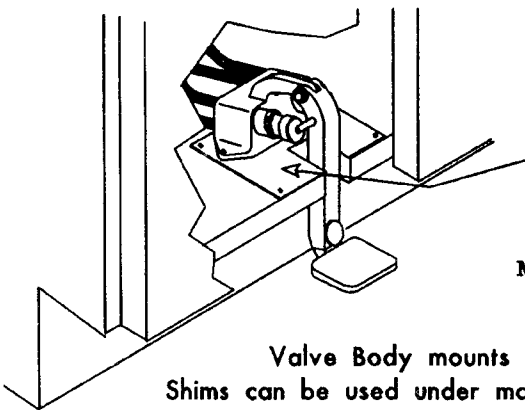
**FLOW**

- 8 gpm Max. at 60 PSI

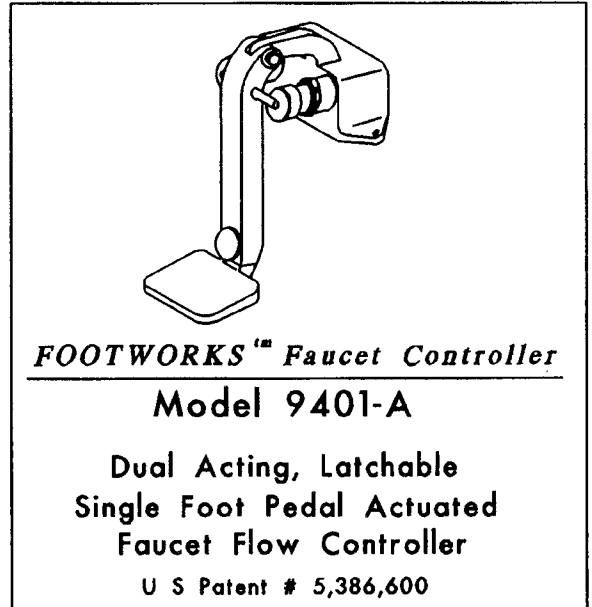
**WARRANTY**

- One Year Against Material or Manufacturing Defects

**Installation In Cabinet**



Valve Body mounts 5 1/2" above floor  
Shims can be used under mounting plate when needed.  
Horizontal clearance for control arm and motion = 2 1/4"



**SPECIFICATION OPTIONS**  
Example 9401-A-L-3/8"

**PEDAL OPTION**

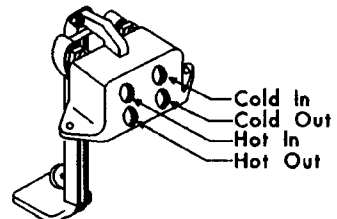
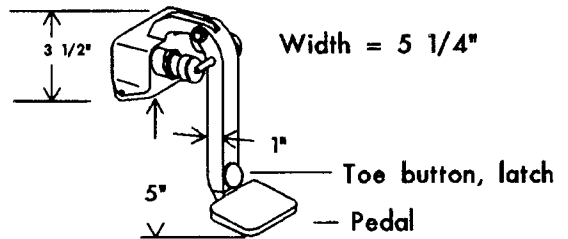
- Latchable Pedal "-L"
- Non-Latchable Pedal "-NL"

**SIZE (See Page 2)**

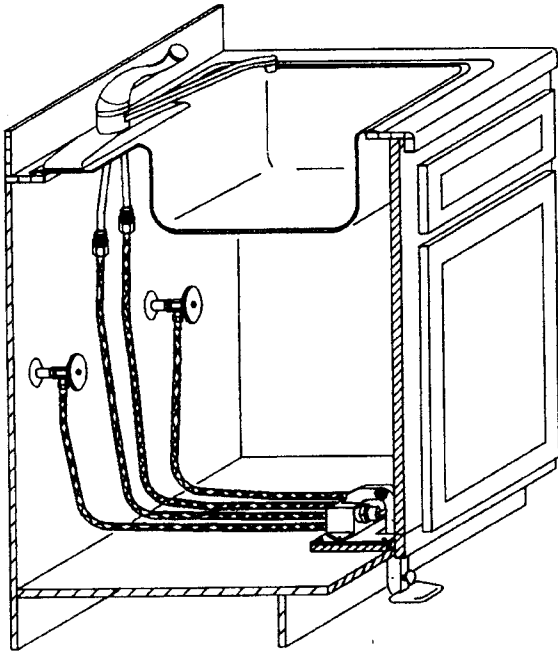
- "-3/8" or "-1/2"

**CUSTOM LENGTH PEDAL**

- Add "-CP" for custom length pedal; provide finished floor to mounting surface dimension.



*This Page Provides Information About Installation Hardware Options.  
Your Choice Is Included At No Extra Charge.  
Select Either 3/8" or 1/2" Installation Kit*



### 3/8" Installation Kit

- 4 ea. 3/8" MPT X 3/8" Compression Adapters
- 2 ea. 3/8" Stainless Steel Braided Flex Lines  
30" long with 3/8" compression  
connections on both ends.
- 2 ea. 3/8" Stainless Steel Braided Flex Lines  
42" long with 3/8" compression  
connections on one end,  
1/2" FPT on other end.
- 3 ea. Cable Ties (to bundle flex lines together)

*Flex Line are available in several other  
lengths at no extra charge.  
Contact Pedal Valves Inc. To Order*

### 1/2" Installation Kit

- 4 ea. 3/8" MPT X 1/2" Compression Adapters
- 2 ea. 1/2" Stainless Steel Braided Flex Lines  
30" long with 1/2" compression  
connections on one end,  
1/2" FPT on other end.
- 2 ea. 1/2" Stainless Steel Braided Flex Lines  
42" long with 1/2" compression  
connections on one end,  
1/2" FPT on other end.
- 3 ea. Cable Ties (to bundle flex lines together)
- 4 ea. 5/8" compression X 1/2" MPT adapters  
(for retrofit to 1/2" rigid copper pipe)

*Flex Line are available in several other  
lengths at no extra charge.*

*Contact Pedal Valves Inc. To Order*

